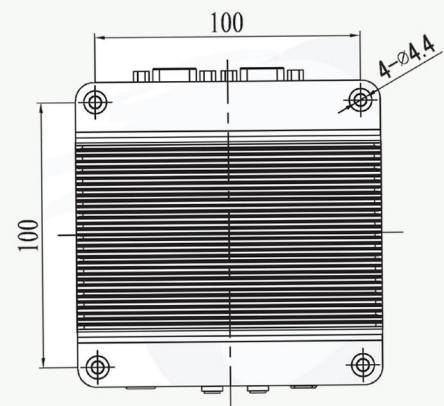
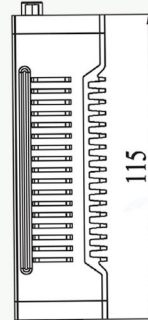
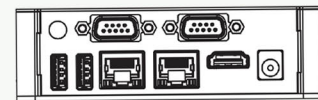


EBOX-58 Braswell Series

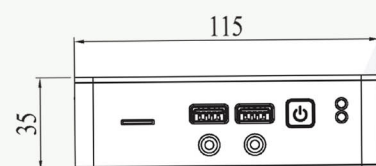
Simple and Classic

Industrial fanless PC with Intel® Braswell processor, support memory up to 8GB DDR3L, Dual Giga LAN, Dual RS-232 ports etc. Perfect platform for IoT, M2M, Industry 4.0, Home Automation, Security, Point-of-Sales, Public transportation, and many other more.



Features

- Intel® Atom® x5-E8000 Quad Core 1.04GHz
- Small form factor
- 100x100mm VESA support
- Low heat-dissipation & Fanless
- M.2 2230 E Key support



EBOX-58 Braswell Series

Simple and Classic

System Specifications

Processor	Intel® Atom® x5 -E8000 Quad Core 1.04GHz, 2.00GHz (Burst) Intel® Celeron® N3160 Quad Core 1.6GHz, 2.24GHz (Burst)	
BIOS	AMI UEFI BIOS	
Memory	SO-DIMM, DDR3L-1600MHz up to 8GB	
Storage	SATA	SATA Gen3 x 1, 7-pin internal
	Micro SD	Micro SD Slot x 1 (Micro SD, SDXC)
Display	HDMI V1.4b (max. 3840×2160@30Hz)	
USB	USB V3.0 x 4 (Front x 2 + Rear x 2)	
HD Audio	Realtek ALC262VD Mic-in + Line-out	
Ethernet	Realtek RTL8111H GBE x 2, RJ45 x 2	
COM	DB9 RS-232 x 2, with TX, RX, RTS & CTS (optional TTL RS-232)	
Extension I/F	M.2 2230 E Key x 1 (for WiFi /BT Module)	
Power	DC +8V~+16V input	
Dimension	115 x 115 x 35 mm	
Mounting	VESA 100 x 100 mm	
Weight	510 g	
Operating Temp	0 ~ 60°C	
Security Support	TPM 2.0, Infineon SLB9665VQ2.0 (optional)	
Certifications	CE, FCC, VCCI	
OS support	Window 10, Windows 10 IoT, Linux	

Model Type	CPU	DRAM	LAN	COM	TPM	
EB-58	X	X	—	XX	XX	X
	E: E8000	2:2GB	NN: None	NN: None	T: with	
	N: N3160	4:4GB	L1: LAN x 1	C1: COM x 1	F: without	
		8:8GB	L2: LAN x 2	C2: COM x 2		